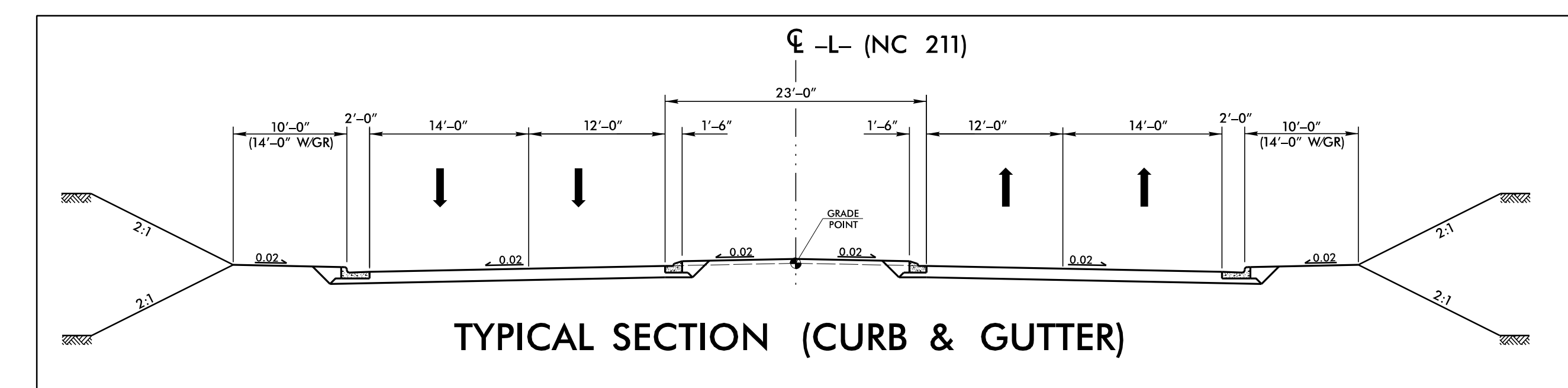


PUBLIC MEETING MAP
PROJECT 50218.1.1 (R-5726)

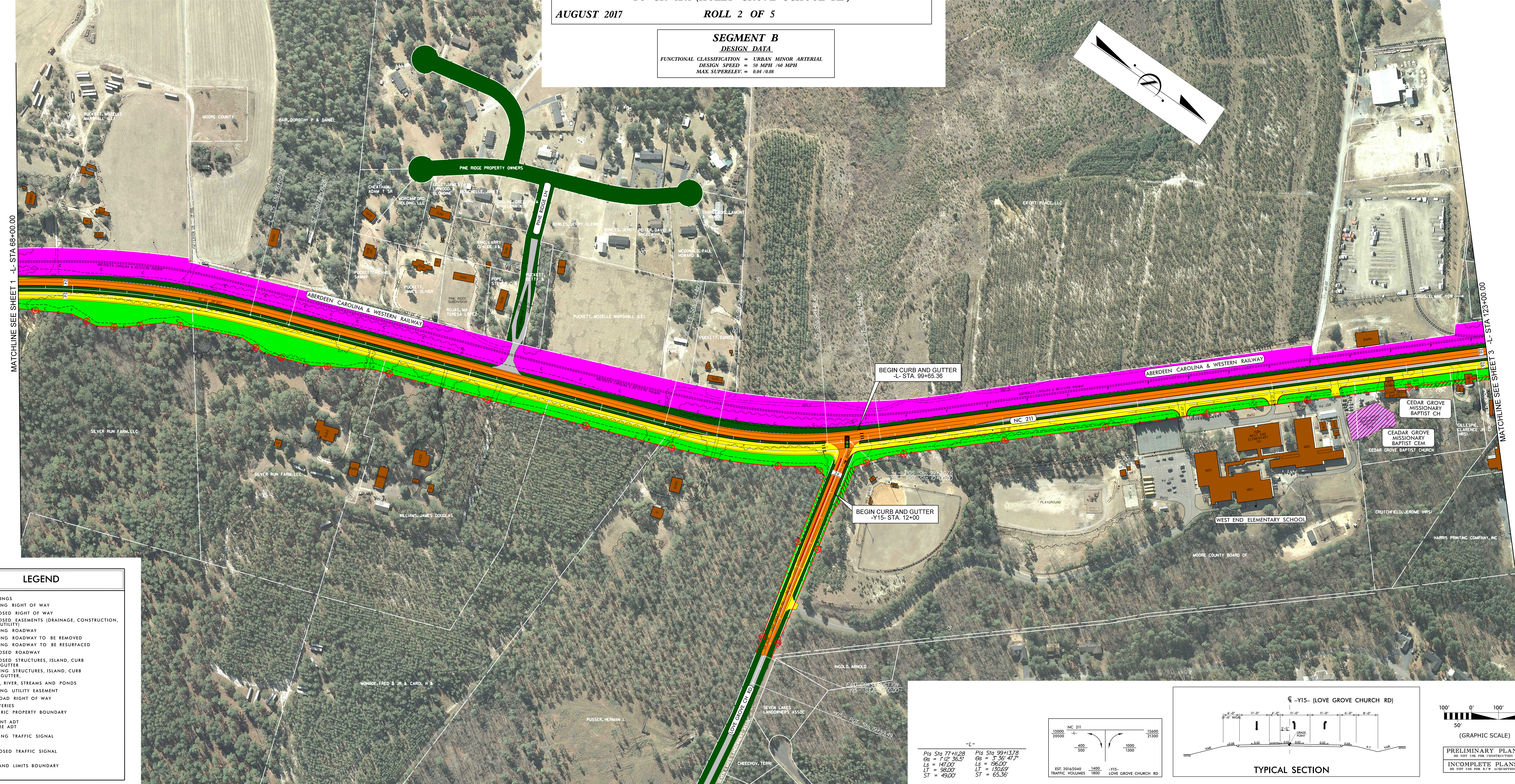
MOORE COUNTY
NC 211 FROM NC 73 IN WEST END TO SR 1241 (HOLLY GROVE SCHOOL RD)

AUGUST 2017 **ROLL 2 OF 5**



SEGMENT B
DESIGN DATA

FUNCTIONAL CLASSIFICATION = URBAN MINOR ARTERIAL
 DESIGN SPEED = 50 MPH / 60 MPH
 MAX SUPERELEV. = 0.04 / 0.08



MATCHLINE SEE SHEET 1 - L- STA 68+00.00

MATCHLINE SEE SHEET 3 - L- STA 123+00.00

LEGEND

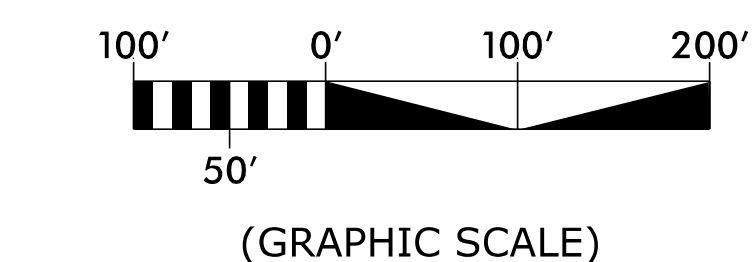
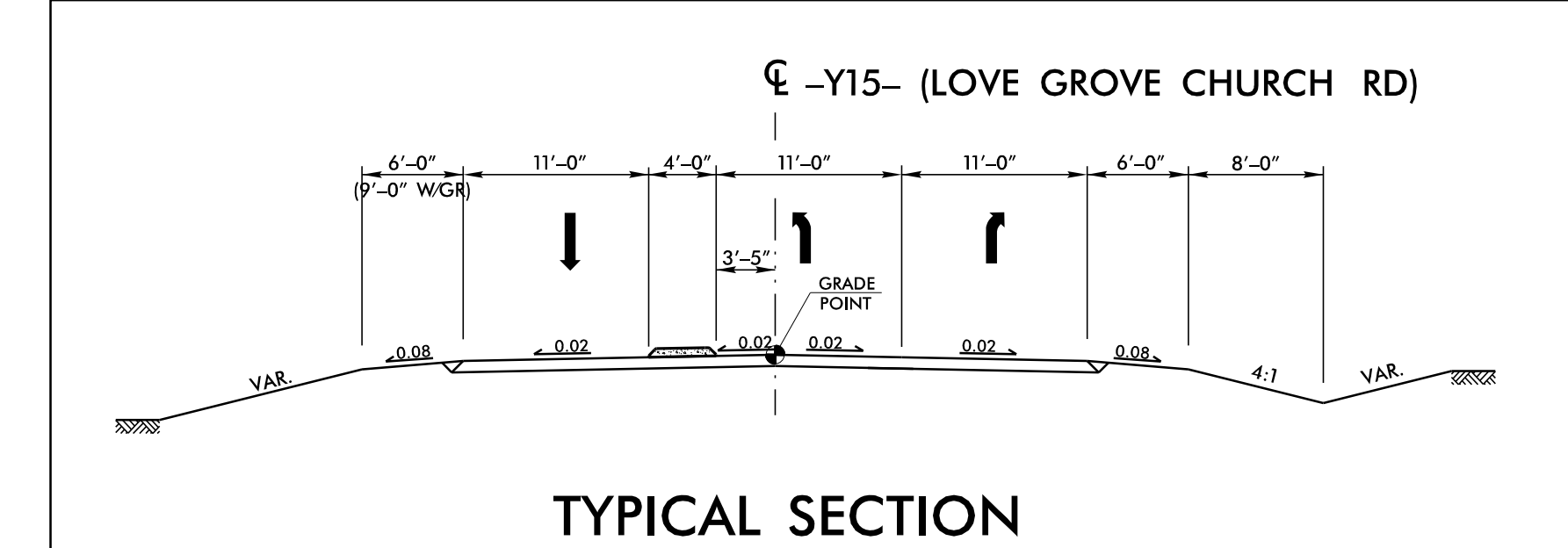
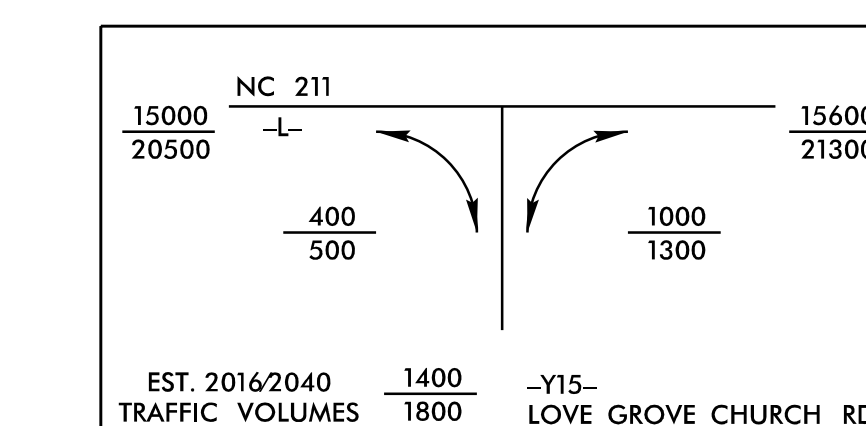
- BUILDINGS
- EXISTING RIGHT OF WAY
- PROPOSED RIGHT OF WAY
- PROPOSED EASEMENTS (DRAINAGE, CONSTRUCTION, AND UTILITY)
- EXISTING ROADWAY
- EXISTING ROADWAY TO BE REMOVED
- EXISTING ROADWAY TO BE RESURFACED
- PROPOSED ROADWAY
- PROPOSED STRUCTURES, ISLAND, CURB AND GUTTER
- EXISTING STRUCTURES, ISLAND, CURB AND GUTTER
- LAKES, RIVER, STREAMS AND PONDS
- EXISTING UTILITY EASEMENT
- RAILROAD RIGHT OF WAY
- CEMETERIES
- HISTORIC PROPERTY BOUNDARY
- PRESENT ADT
- FUTURE ADT
- EXISTING TRAFFIC SIGNAL
- PROPOSED TRAFFIC SIGNAL
- WETLAND LIMITS BOUNDARY

BEGIN CURB AND GUTTER
 -L- STA. 99+65.36

BEGIN CURB AND GUTTER
 -Y15- STA. 12+00

-L-

Sta 77+11.28	Sta 99+13.78
GS = 1' 12" 36.5'	GS = 3' 36" 47.7'
LS = 147.00'	LS = 196.00'
LT = 98.00'	LT = 130.69'
ST = 49.00'	ST = 65.36'



PRELIMINARY PLANS
 DO NOT USE FOR CONSTRUCTION
 INCOMPLETE PLANS
 DO NOT USE FOR R/W ACQUISITION