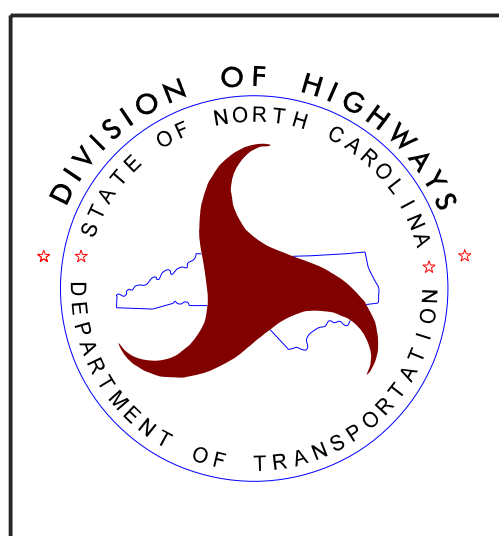
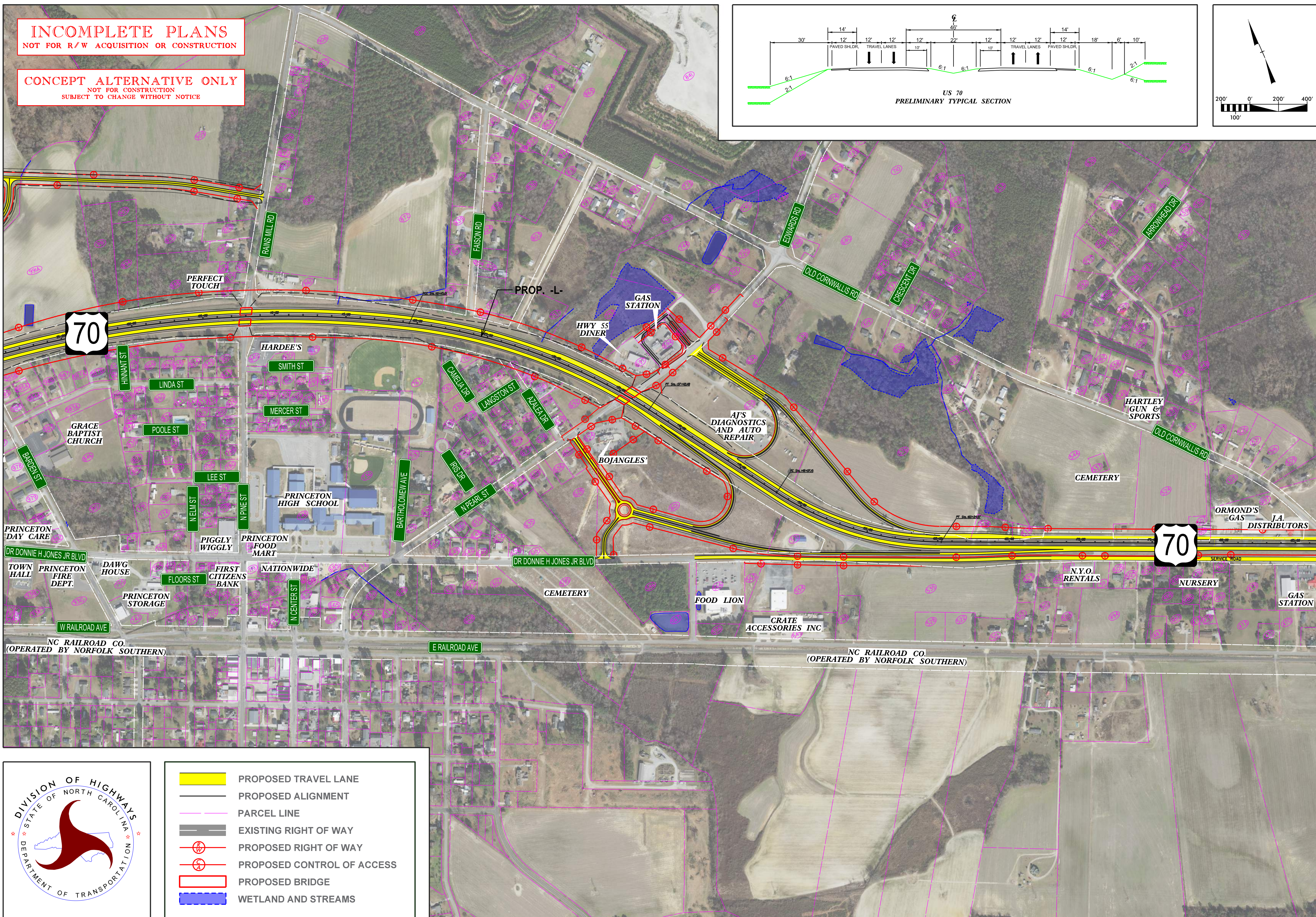
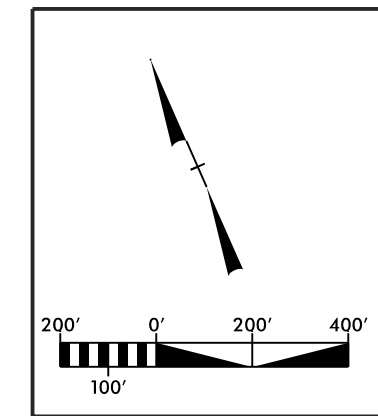
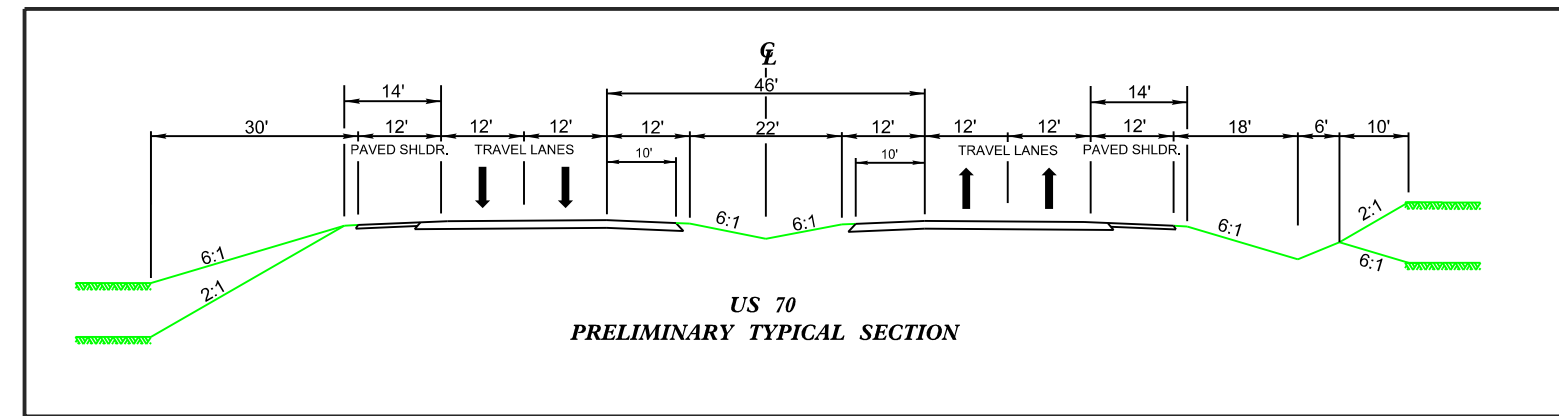


PEARL STREET/EDWARDS ROAD PARTIAL CLOVERLEAF INTERCHANGE MAP

R5829

INCOMPLETE PLANS
NOT FOR R/W ACQUISITION OR CONSTRUCTION

CONCEPT ALTERNATIVE ONLY
NOT FOR CONSTRUCTION
SUBJECT TO CHANGE WITHOUT NOTICE



- PROPOSED TRAVEL LANE
- PROPOSED ALIGNMENT
- PARCEL LINE
- EXISTING RIGHT OF WAY
- PROPOSED RIGHT OF WAY
- PROPOSED CONTROL OF ACCESS
- PROPOSED BRIDGE
- WETLAND AND STREAMS