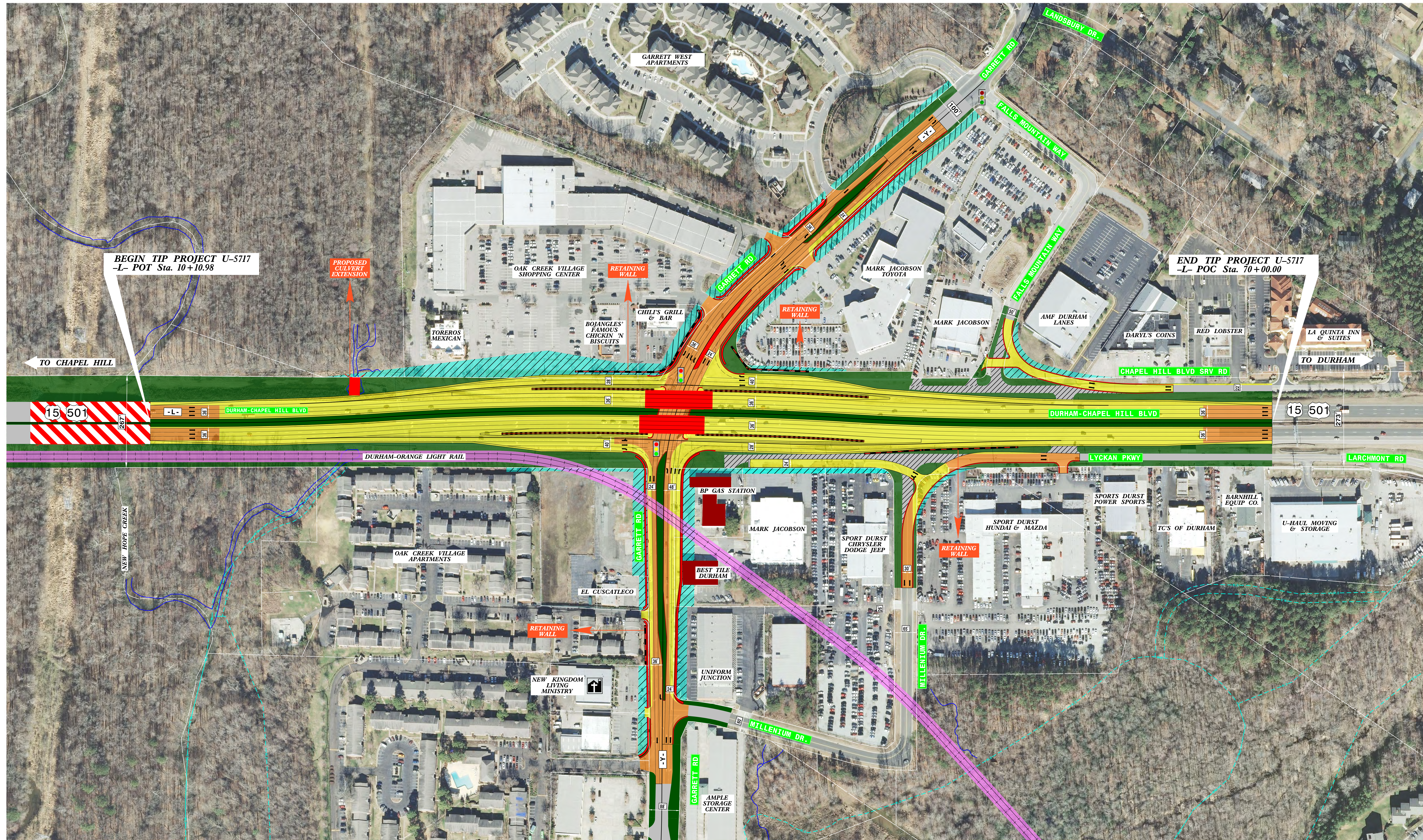
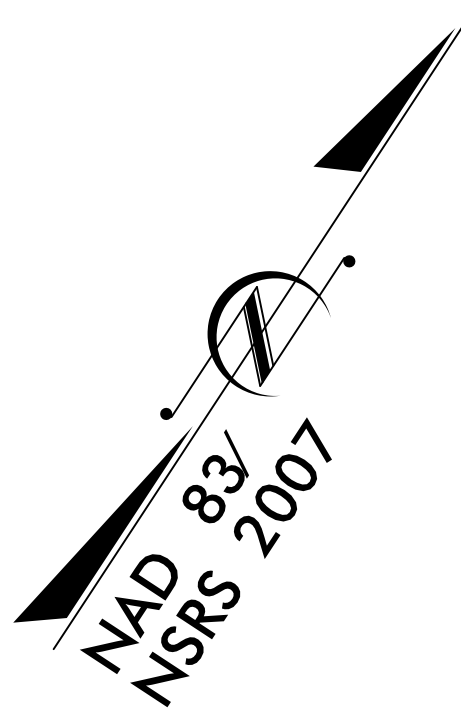
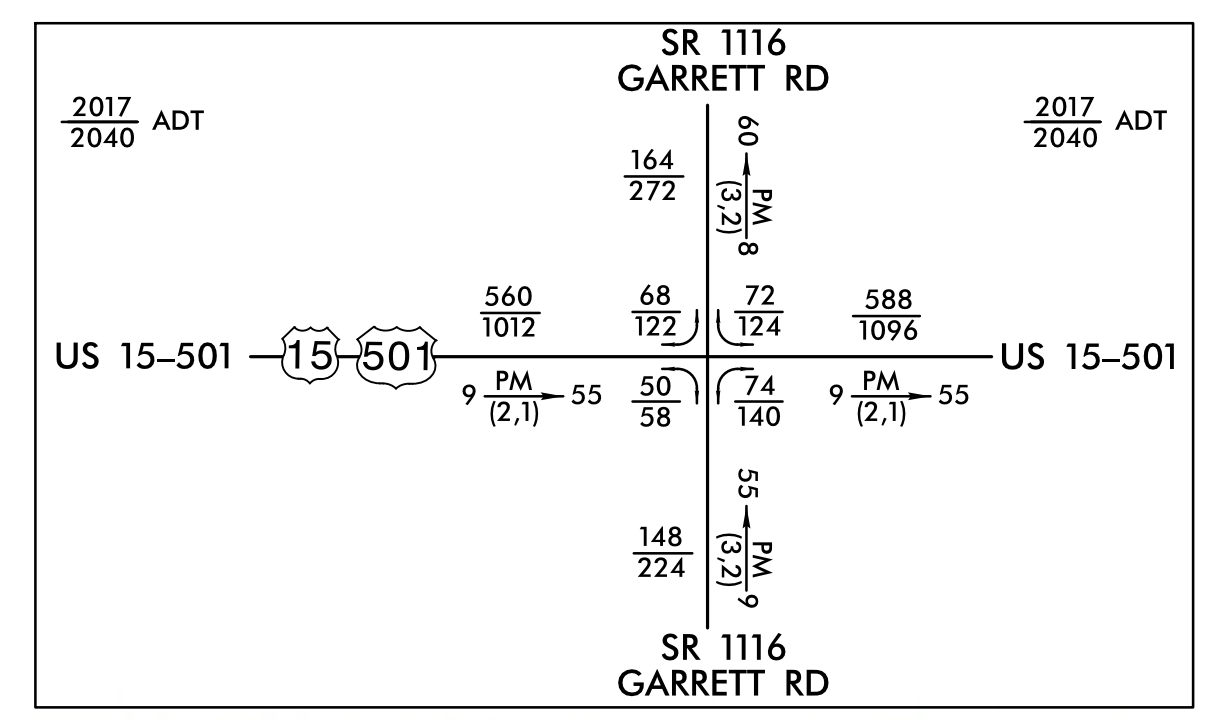


PUBLIC MEETING MAP
 PROJECT U-5717
 DURHAM COUNTY
 ALTERNATIVE A
 TIGHT DIAMOND
 US 15-501 OVER GARRETT RD
 SR 1116 (GARRETT ROAD) IN DURHAM,
 CONVERT AT-GRADE INTERSECTION TO INTERCHANGE

PUBLIC MEETING MAP
 PROJECT U-5717
 DURHAM COUNTY
 ALTERNATIVE A
 TIGHT DIAMOND
 US 15-501 OVER GARRETT RD
 SR 1116 (GARRETT ROAD) IN DURHAM,
 CONVERT AT-GRADE INTERSECTION TO INTERCHANGE



ORTHOPHOTO DATA
 ORTHOPHOTOGRAPHY FROM 2013
 NC ONEMAP GEOSPATIAL DATA

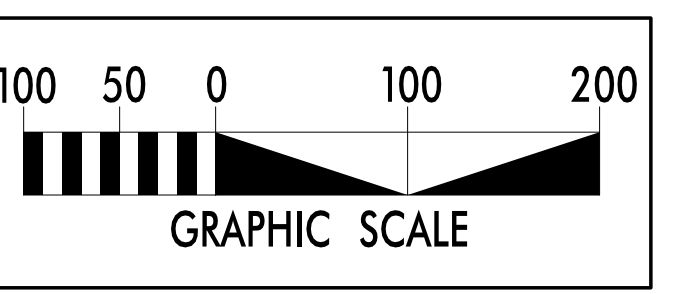
DESIGN DATA
 -L- (US 15-501) &
 -Y- (GARRETT RD.)

RAM DESIGN SPEED 50 MPH
 MAX. SUPER = NC
 FUNC CLASS = GARRETT RD
 MINOR URBAN ARTERIAL
 US 15-501 URBAN FREEWAY

TIGHT DIAMOND
 DESIGN DATA
 -Y- (US 15-501 OVER)

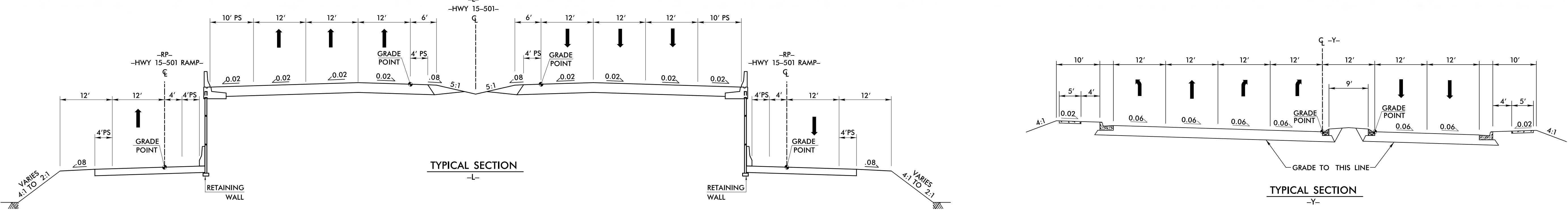
RAM DESIGN SPEED 50 MPH
 MAX. SUPER = 0.06%
 FUNC CLASS = GARRETT RD
 MINOR URBAN ARTERIAL
 US 15-501 URBAN FREEWAY

PRELIMINARY PLANS
 DO NOT USE FOR CONSTRUCTION



LEGEND

- EXISTING RIGHT OF WAY
- EXISTING ROADWAY
- EXISTING ROADWAY TO BE REMOVED
- EXISTING ROADWAY TO BE RESURFACED
- PROPOSED ROADWAY
- PROPOSED STRUCTURES, ISLAND, CURB AND GUTTER, SIDEWALK
- PROPERTY LINE
- EXISTING STRUCTURES
- RAILROAD RIGHT OF WAY
- POTENTIAL IMPACTED AREA
- EXISTING TRAFFIC SIGNAL
- PROPOSED TRAFFIC SIGNAL
- WETLANDS
- STREAMS
- PROPOSED RETAINING WALL



PUBLIC MEETING MAP
 PROJECT U-5717
 DURHAM COUNTY
 ALTERNATIVE A
 TIGHT DIAMOND
 US 15-501 OVER GARRETT RD
 SR 1116 (GARRETT ROAD) IN DURHAM,
 CONVERT AT-GRADE INTERSECTION TO INTERCHANGE