

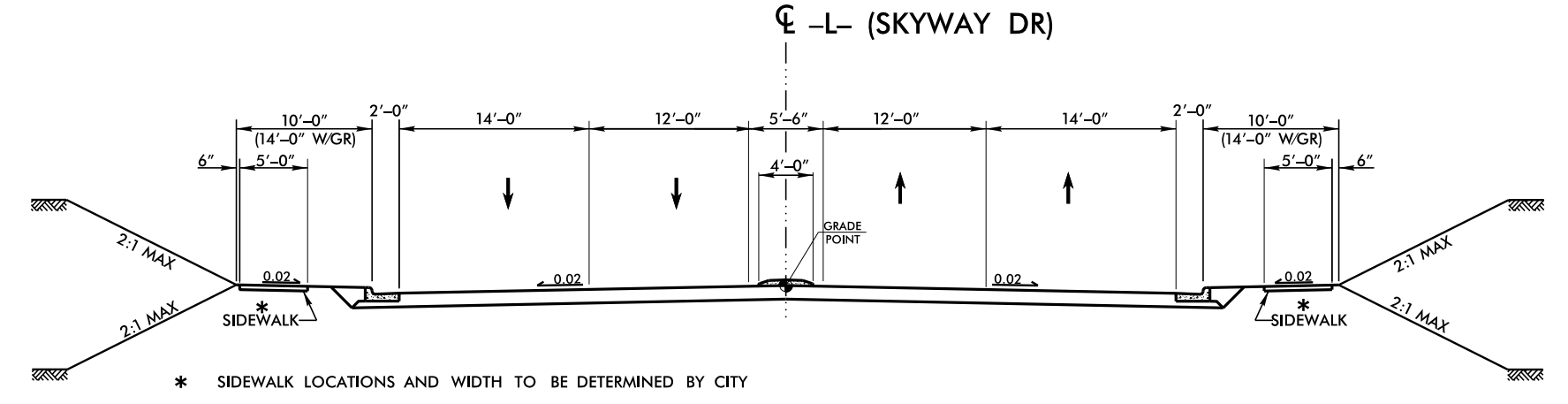
PUBLIC MEETING MAP
PROJECT 46300.1.S1 (U-5723)

UNION COUNTY
US 74 (W. ROOSEVELT BLVD) AT
US 601/NC 207 (SKYWAY DR)
ROLL 1 OF 1

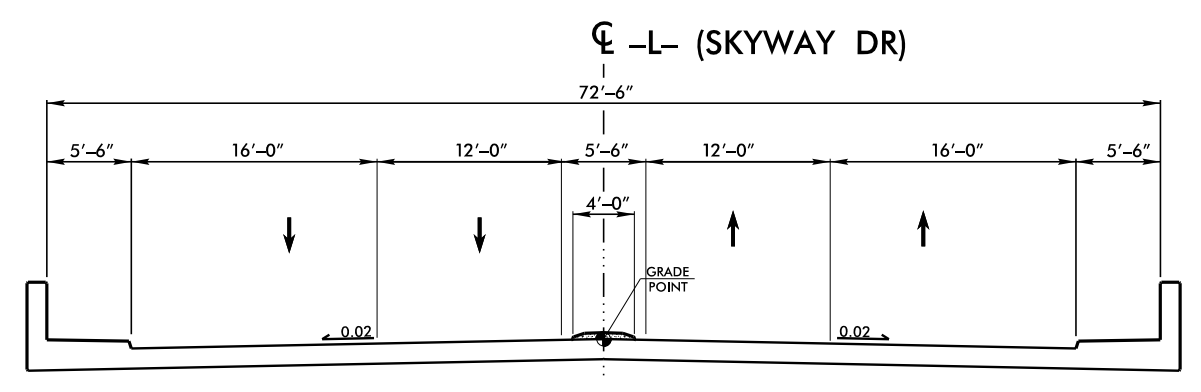
OCTOBER 2017

PRELIMINARY PLANS
 SUBJECT TO CHANGE WITHOUT NOTICE

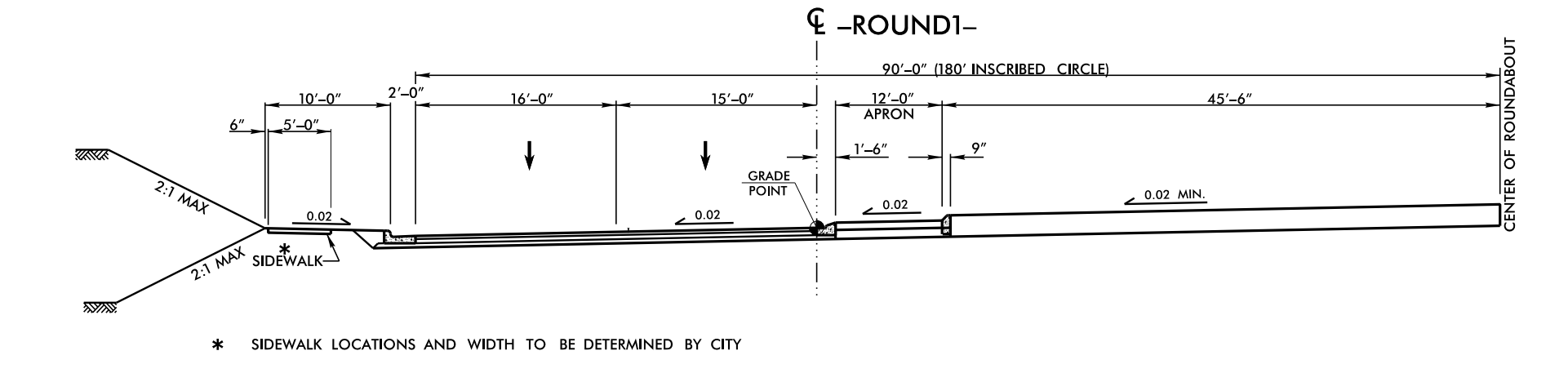
DESIGN DATA
 FUNCTIONAL CLASSIFICATION = URBAN MINOR ARTERIAL
 DESIGN SPEED = 40 MPH
 MAX. SUPERELEV. = 0.04 / 0.08



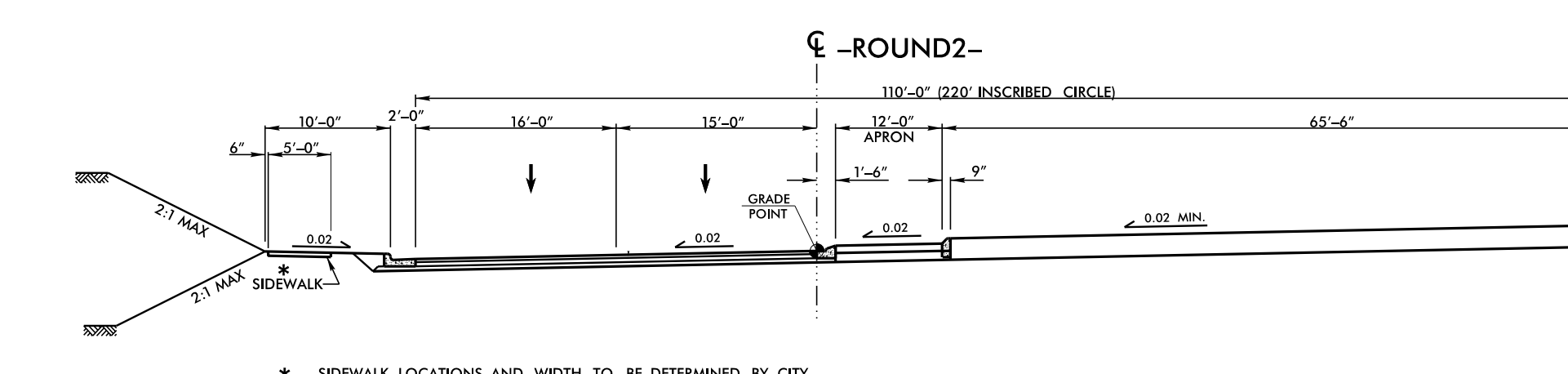
TYPICAL SECTION 1
 -L- (SKYWAY DR)



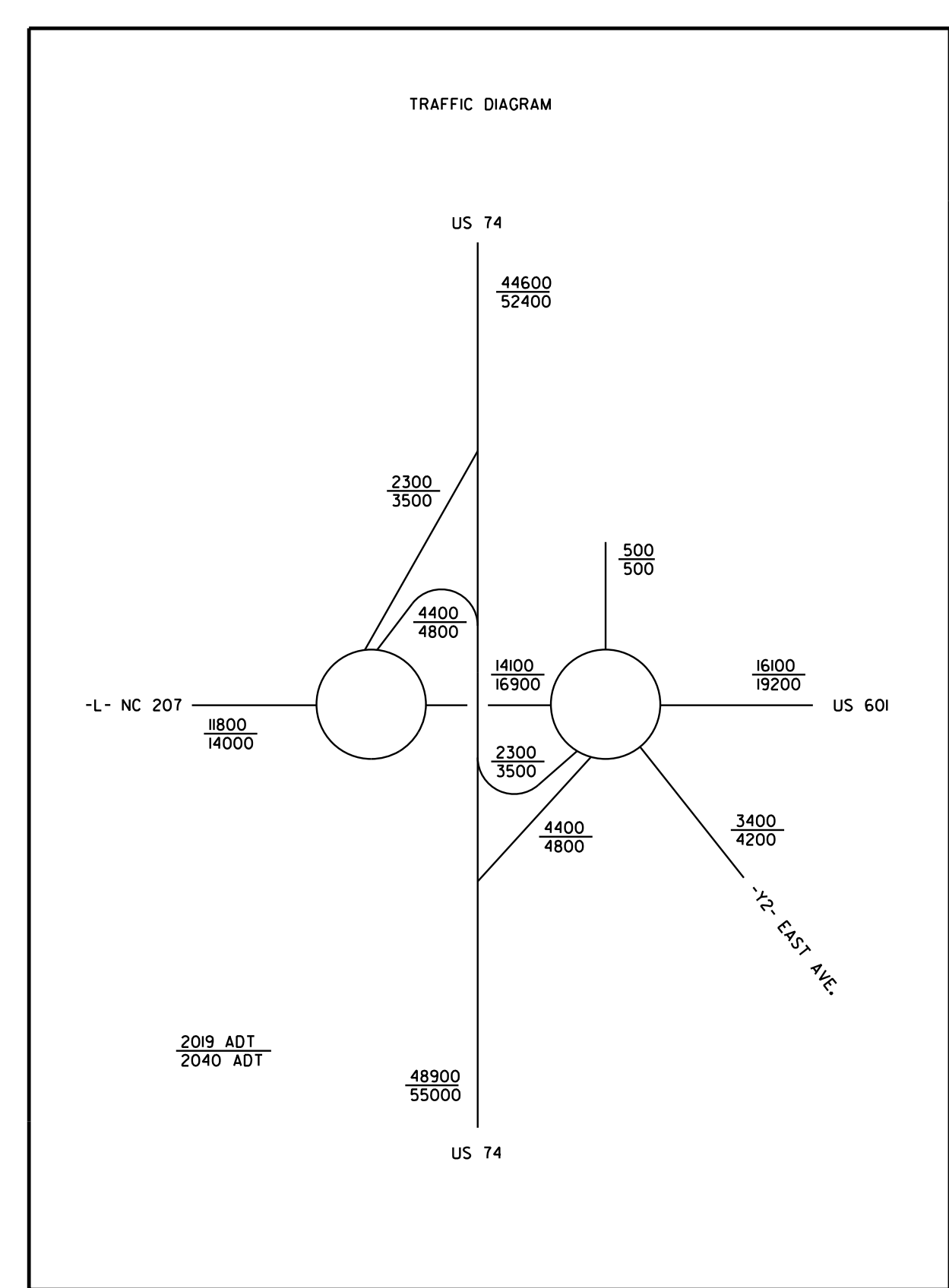
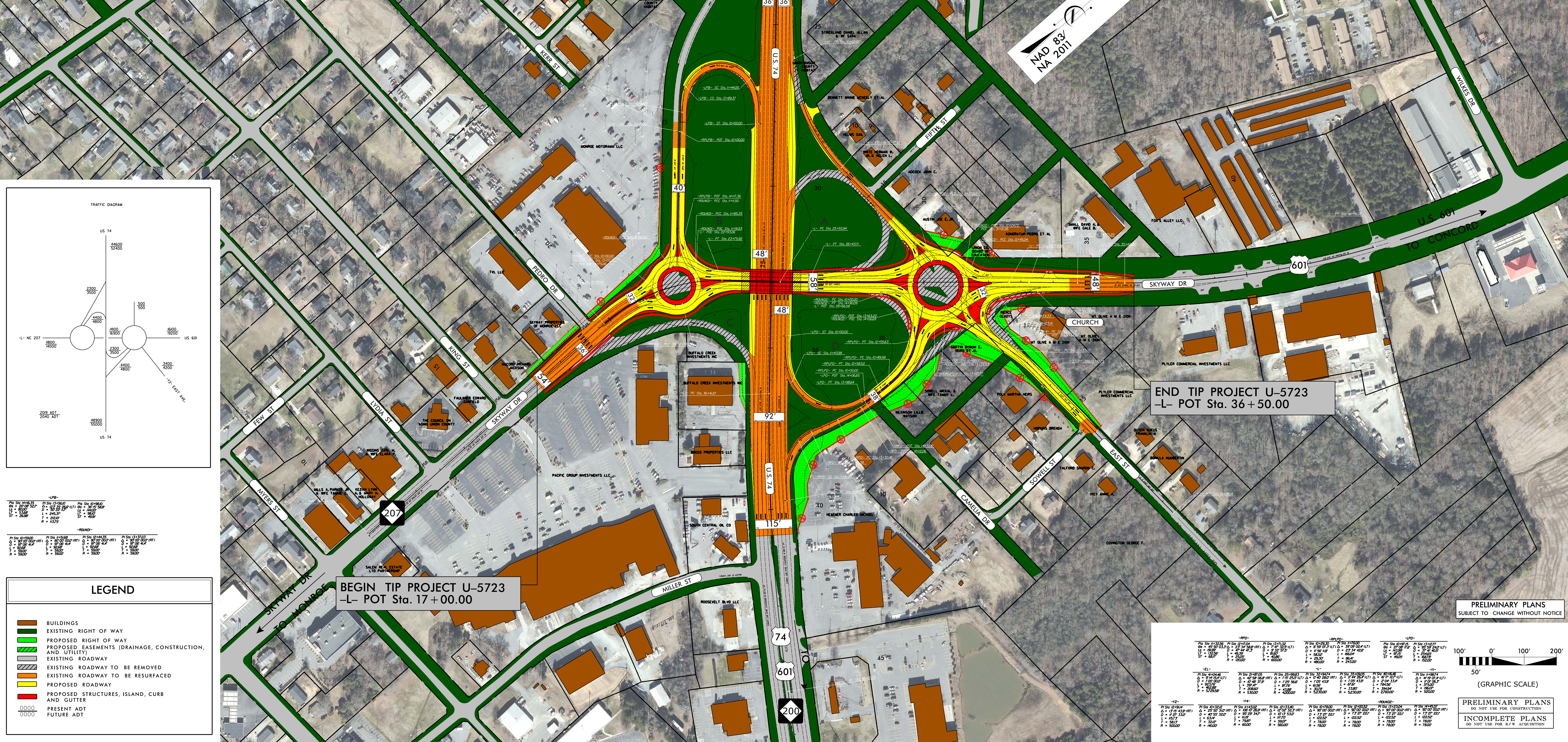
BRIDGE TYPICAL SECTION 1A
 -L- (SKYWAY DR)



TYPICAL SECTION 2
 -ROUND1- (ROUNDAOUT)



TYPICAL SECTION 3
 -ROUND2- (ROUNDAOUT)



-L-		-ROUND-	
PI Sta. 0+145.00	PI Sta. 0+180.00	PI Sta. 0+145.00	PI Sta. 0+180.00
Δ = 100.00'	Δ = 100.00'	Δ = 100.00'	Δ = 100.00'
L = 100.00'	L = 100.00'	L = 100.00'	L = 100.00'
H = 10.00'	H = 10.00'	H = 10.00'	H = 10.00'
R = 1000.00'	R = 1000.00'	R = 1000.00'	R = 1000.00'

LEGEND

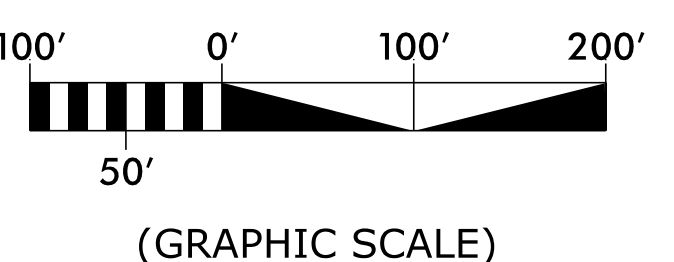
- BUILDINGS
- EXISTING RIGHT OF WAY
- PROPOSED RIGHT OF WAY
- PROPOSED EASEMENTS (DRAINAGE, CONSTRUCTION, AND UTILITY)
- EXISTING ROADWAY
- EXISTING ROADWAY TO BE REMOVED
- EXISTING ROADWAY TO BE RESURFACED
- PROPOSED ROADWAY
- PROPOSED STRUCTURES, ISLAND, CURB AND GUTTER
- PRESENT ADT
- FUTURE ADT

END TIP PROJECT U-5723
 -L- POT Sta. 36 + 50.00

BEGIN TIP PROJECT U-5723
 -L- POT Sta. 17 + 00.00

PRELIMINARY PLANS
 SUBJECT TO CHANGE WITHOUT NOTICE

-L-		-ROUND-	
PI Sta. 0+145.00	PI Sta. 0+180.00	PI Sta. 0+145.00	PI Sta. 0+180.00
Δ = 100.00'	Δ = 100.00'	Δ = 100.00'	Δ = 100.00'
L = 100.00'	L = 100.00'	L = 100.00'	L = 100.00'
H = 10.00'	H = 10.00'	H = 10.00'	H = 10.00'
R = 1000.00'	R = 1000.00'	R = 1000.00'	R = 1000.00'



PRELIMINARY PLANS
 DO NOT USE FOR CONSTRUCTION
 INCOMPLETE PLANS
 DO NOT USE FOR A/R ACQUISITION