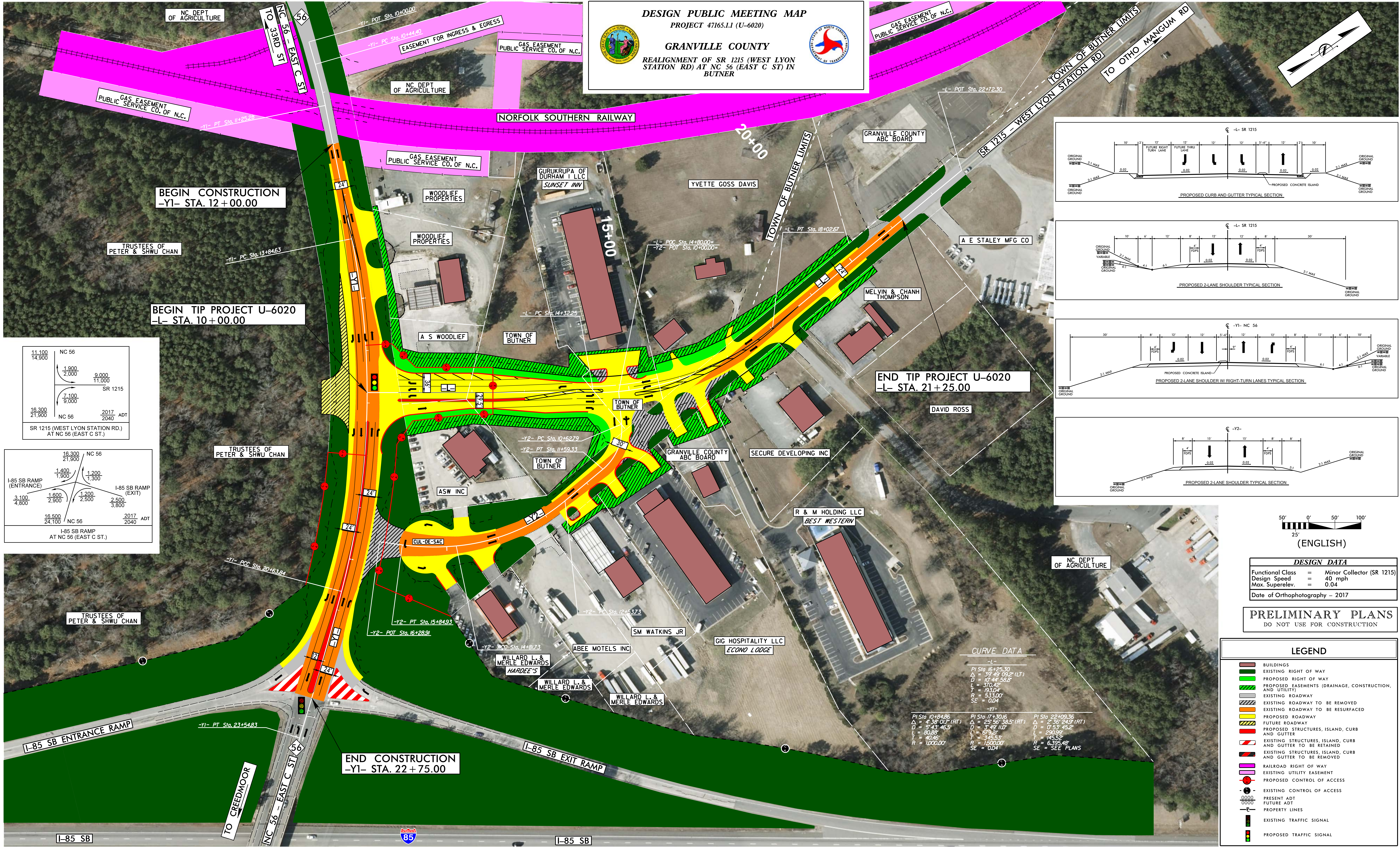


DESIGN PUBLIC MEETING MAP
 PROJECT 47165.1.1 (U-6020)
GRANVILLE COUNTY
 REALIGNMENT OF SR 1215 (WEST LYON STATION RD) AT NC 56 (EAST C ST) IN BUTNER

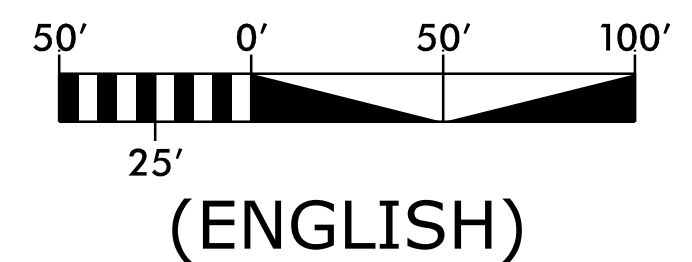
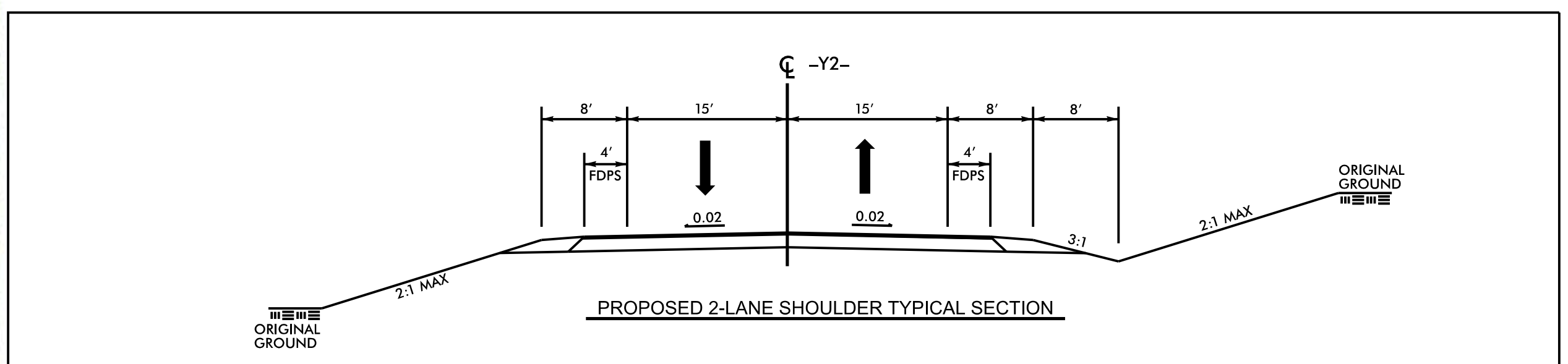
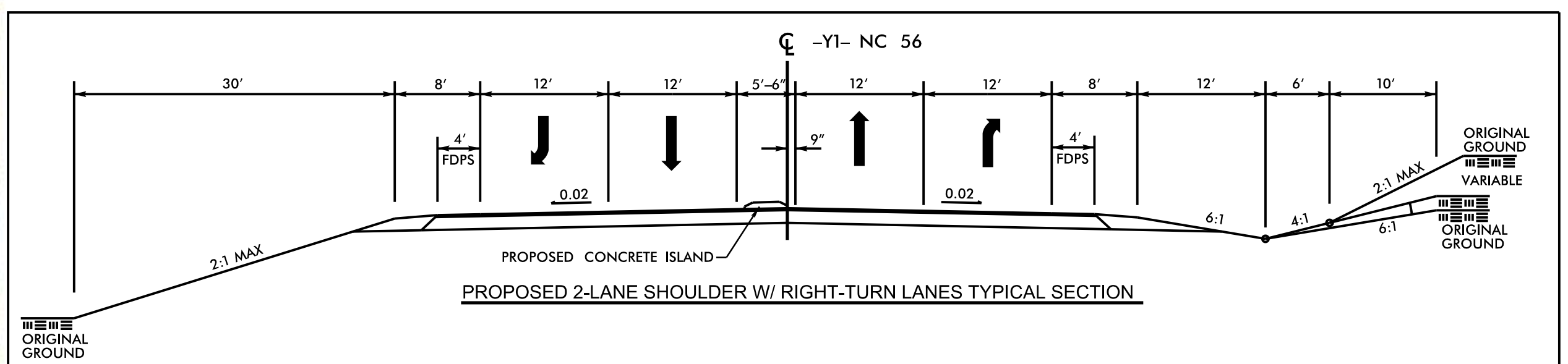
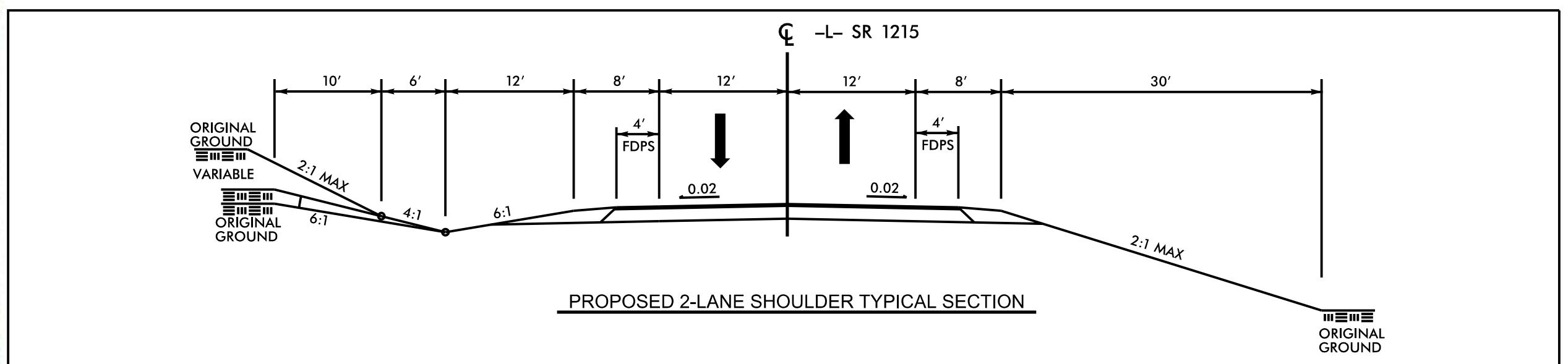
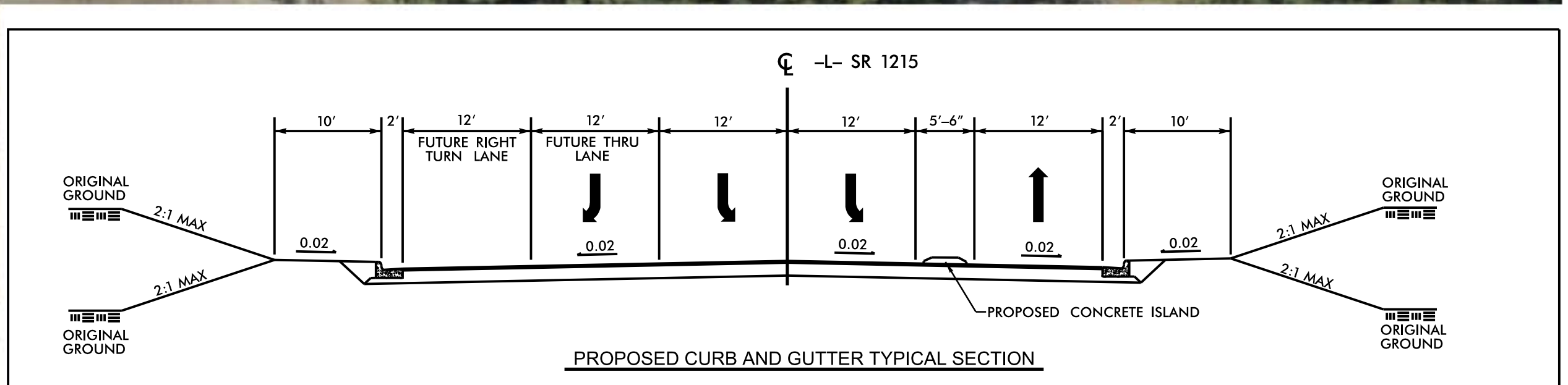


BEGIN CONSTRUCTION
-Y1- STA. 12+00.00

BEGIN TIP PROJECT U-6020
-L- STA. 10+00.00

END TIP PROJECT U-6020
-L- STA. 21+25.00

END CONSTRUCTION
-Y1- STA. 22+75.00



DESIGN DATA

Functional Class	=	Minor Collector (SR 1215)
Design Speed	=	40 mph
Max. Superelev.	=	0.04
Date of Orthophotography	=	2017

PRELIMINARY PLANS
DO NOT USE FOR CONSTRUCTION

LEGEND

[Symbol]	BUILDINGS
[Symbol]	EXISTING RIGHT OF WAY
[Symbol]	PROPOSED RIGHT OF WAY
[Symbol]	PROPOSED EASEMENTS (DRAINAGE, CONSTRUCTION, AND UTILITY)
[Symbol]	EXISTING ROADWAY
[Symbol]	EXISTING ROADWAY TO BE REMOVED
[Symbol]	EXISTING ROADWAY TO BE RESURFACED
[Symbol]	PROPOSED ROADWAY
[Symbol]	FUTURE ROADWAY
[Symbol]	PROPOSED STRUCTURES, ISLAND, CURB AND GUTTER
[Symbol]	EXISTING STRUCTURES, ISLAND, CURB AND GUTTER TO BE RETAINED
[Symbol]	EXISTING STRUCTURES, ISLAND, CURB AND GUTTER TO BE REMOVED
[Symbol]	RAILROAD RIGHT OF WAY
[Symbol]	EXISTING UTILITY EASEMENT
[Symbol]	PROPOSED CONTROL OF ACCESS
[Symbol]	EXISTING CONTROL OF ACCESS
[Symbol]	PRESENT ADT
[Symbol]	FUTURE ADT
[Symbol]	PROPERTY LINES
[Symbol]	EXISTING TRAFFIC SIGNAL
[Symbol]	PROPOSED TRAFFIC SIGNAL

CURVE DATA

-L-		
PI Sta. 16+25.30	PI Sta. 17+30.16	PI Sta. 22+09.36
$\Delta = 39^{\circ} 49' 09.2"$ (LT)	$\Delta = 25^{\circ} 56' 38.5"$ (RT)	$\Delta = 2^{\circ} 36' 24.9"$ (RT)
D = 107.44' 38.6'	D = 57.49' 11.0"	D = 0' 53' 45.2"
L = 370.42'	L = 639.24'	L = 220.59'
T = 193.04'	T = 345.53'	T = 745.52'
R = 533.00'	R = 1500.00'	R = 6,395.48'
SE = 0.04	SE = 0.04	SE = SEE PLANS

DESIGN PUBLIC MEETING MAP
 PROJECT 47165.1.1 (U-6020)
 GRANVILLE COUNTY
 REALIGNMENT OF SR 1215 (WEST LYON STATION RD) AT NC 56 (EAST C ST) IN BUTNER

DESIGN PUBLIC MEETING MAP
 PROJECT 47165.1.1 (U-6020)
 GRANVILLE COUNTY
 REALIGNMENT OF SR 1215 (WEST LYON STATION RD) AT NC 56 (EAST C ST) IN BUTNER